

**Description:** Zero 2000 2.25 litre Electric Slimline System (Formula Car)

**FIA homologation:** National use only (MSA)

**Part No:** LL101-225-007

**Contents:** Zero 2000 Foam, 2.25 litres, single chamber

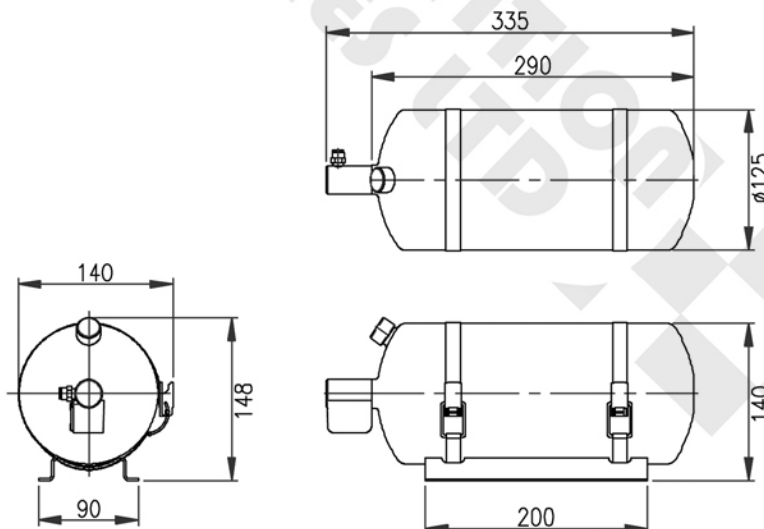
**Discharge System:** Electrical, pressurised to 12 bar

**Cylinder:** Aluminium Alloy

**Size (mm):** 148 x 140 x 335 (incl. bracket & discharge heads)

**Weights:** Cylinder (filled) = 3.0kg

**Operating Temperatures:** -15 to +60 degrees C



#### Kit Contents

1 x 2.25l Slimline cylinder with bracket & straps  
 1 x Power Pack  
 1 x Cockpit Switch  
 1 x Plug & lead assembly  
 2 x Discharge nozzles

1 x T connector (push in)  
 4 x meters Semi-rigid tube  
 1 x Tube mount clips (pack)  
 1 x Decal pack  
 1 x Instructions manual